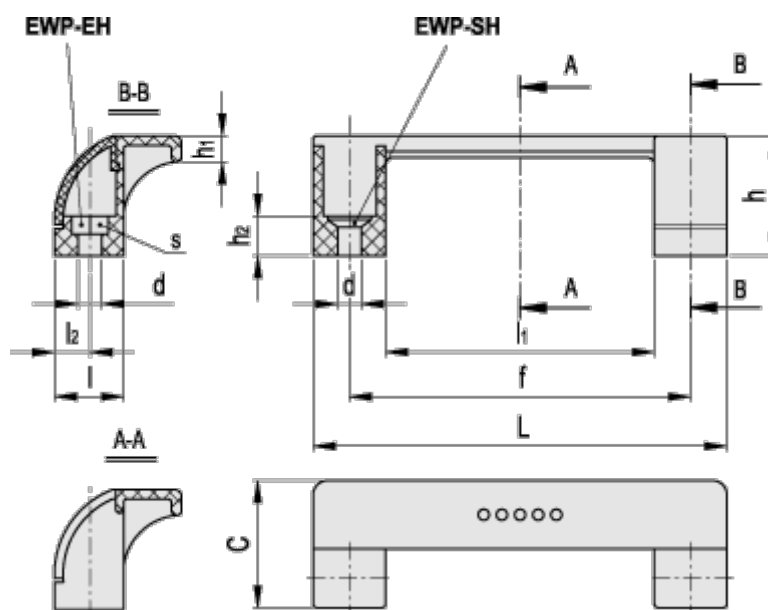


Article number: 23052652515

Description: E+G Guard wing handle, Ergostyle
EWP.110-SH-C5

Measures



C	= 35	L	= 114
d	= 6.5	l1	= 74
f	= 93,5 +/-0,5	l2	= 9.5
F1 (N)	= 800		
h	= 33		
h1	= 7		
h2	= 11		
l	= 19		